

# butterfly valve

## type QUADAX - Top Entry



**butterfly valve** bare shaft  
**pressure range** PN 0-160 bar  
**orifice** DN 80-1000 mm  
**connection** buttweld ends

**⚠** Above stated body materials refer to the valve port connections that get in contact with the media only!

**body materials** carbon steel, stainless steel, special material (duplex, inconell)  
**valve seat materials** inconell, others on request  
**seal materials** graphite / stainless steel, inconell, stainless steel, PTFE

**details needed**

- size
- pipe connection
- operating pressure
- flow rate
- Δp
- closing time
- media
- process temperature
- outside temperature

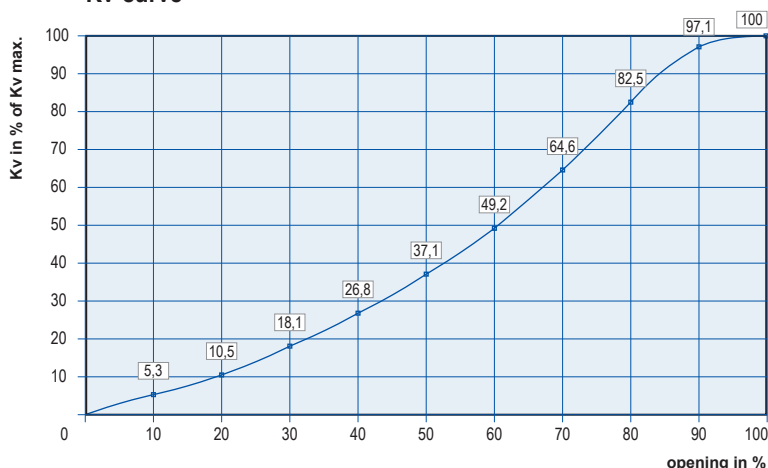
**general specifications**

<b>ports</b>	buttsweld ends	
<b>function</b>	NC / NO / DA	depending upon actuator
<b>pressure range</b>	body pressure	0 to 160 bar
	Δp standard shaft	52 bar in both directions
	Δp optional shaft	100 bar in both directions
<b>Kv value</b>	m³/h	
<b>leakage rate</b>	see table	
	1 DIN 3230	
	A DIN EN 12266	
	BS 6364	
	Fire safe	
<b>flow direction</b>	A ⇌ B as marked	
<b>switching time</b>	s DN/100	
<b>process- and outside temperature</b>	standard	-10 °C to +450 °C
	with special materials	-270 °C to +800 °C
<b>limit switches</b>	option	
<b>approvals</b>	PED / Fire safe / BAM / TA Luft / ATEX in further	
<b>weight</b>	kg see table	
<b>additional equipment</b>	upon request	

**⚠** The valves' technical design is based on media and application requirements. This can lead to deviations from the general specifications shown on the data sheet with regards to the design, sealing materials and characteristics.

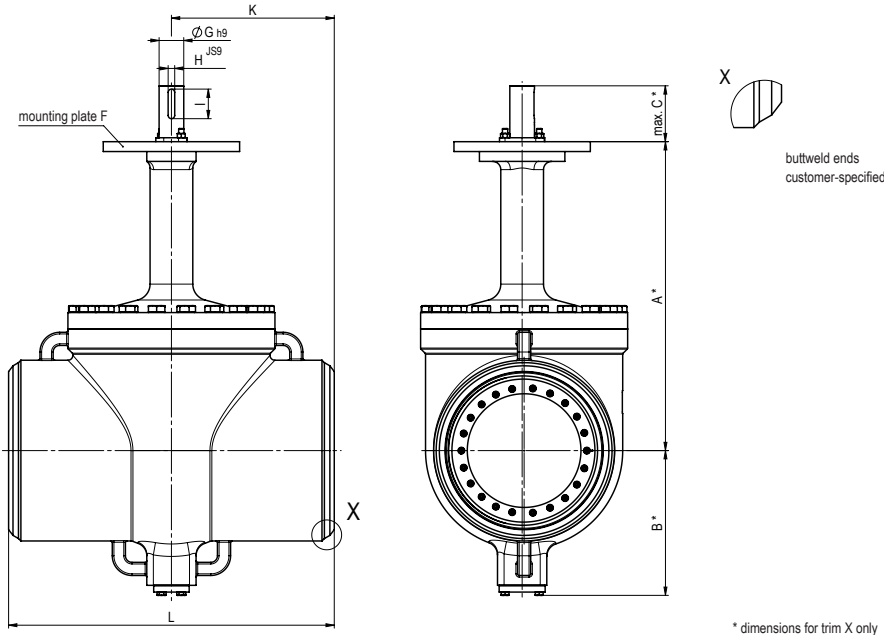
**⚠** If order or application specifications are incomplete or imprecise there exists a risk of an incorrect technical design of the valve for the required application. As a consequence, the physical and / or chemical properties of the materials or seals used, may not be suitable for the intended application.

**Kv-curve**



■ specifications not highlighted are standard  
 ■ specifications highlighted in grey are optional

# type QUADAX - top entry



\* dimensions for trim X only

size	(mm) (inch)	80 3	100 4	125 5	150 6	200 8	250 10	300 12	350 14	400 16	450 18	500 20	600 24	700 28	750 30	800 32	900 36	1000 40	
pipe cl to mounting plate		<b>A</b>	128	162	190	203	240	279	305	325	385	405	440	530	630	630	700	830	920
pipe cl to cover screws		<b>B</b>	129	158	186	204	241	281	307	333	383	403	441	541	643	643	713	836	926
bare shaft length for direct mounting		<b>C</b>	95	125	135	145	180	180	180	280	289	300	320	320	367	367	367	398	398
bare shaft length for adapter		<b>C</b>	51	68	68	68	85	85	85	173	170	170	170	210	-	-	-	-	-
mounting plate F ISO 5211	(others on request)	<b>F</b>	F07	F10	F12	F14	F16	F16	F16	F25	F30	F30	F35	F35	F40	F40	F40	F48	F48
trim A	20 bar max. 290 psi max.	<b>G</b>	-	-	-	-	-	40	45	50	55	55	70	90	90	100	110	120	
		<b>H</b>	-	-	-	-	-	12	14	14	16	16	20	25	25	28	32	32	
		<b>I</b>	-	-	-	-	-	45	60	60	80	80	90	115	115	125	140	160	
trim X (standard)	52 bar max. 754 psi max.	<b>G</b>	18	20	22	32	32	40	45	55	65	70	75	90	110	110	130	150	160
		<b>H</b>	6	6	6	10	10	12	14	16	18	20	20	25	32	32	32	36	40
		<b>I</b>	28	28	40	40	40	45	60	80	88	90	90	115	140	140	180	180	200
trim B	104 bar max. 1500 psi max.	<b>G</b>	-	-	-	-	45	55	65	75	90	95	110	130	150	150	180	190	220
		<b>H</b>	-	-	-	-	14	16	18	20	25	25	32	32	36	36	45	45	50
		<b>I</b>	-	-	-	-	60	80	88	90	115	125	140	180	180	220	250	280	
trim C	155 bar max. 2250 psi max.	<b>G</b>	20	28	32	40	50	65	75	90	110	110	130	150	170	170	200	230	250
		<b>H</b>	6	8	10	12	14	18	20	25	32	32	32	36	40	40	45	50	56
		<b>I</b>	28	40	40	45	60	88	90	115	140	140	180	180	200	200	240	280	320
ANSI B 16.10	ANSI 300	<b>L</b>	180	190	200	210	230	250	270	290	310	330	350	390	430	470	470	510	550
kv-value (m³/h)	trim A trim X trim B trim C	Δp max. 20 bar Δp max. 52 bar Δp max. 104 bar Δp max. 155 bar	- 118 - 101	- 258 - 208	- 418 - 344	- 654 - 576	- 1445 - 1164	- 2451 - 1916	3837 3720 3180 2926	5478 5120 4459 3962	7944 7321 6282 5659	10735 9986 8738 7989	12921 12118 10245 9442	20651 19253 16458 15002	25473 23081 19826 18231	32661 30015 22286 21026	36123 33343 28632 26779	47565 43215 38954 34693	56131 51398 44444 40870
cv-value (gal/min)	trim A trim X trim B trim C	Δp max. 290 psi Δp max. 754 psi Δp max. 1500 psi Δp max. 2250 psi	- 137 - 117	- 300 - 242	- 486 - 400	- 760 - 670	- 1680 - 1353	- 2850 - 2228	4462 4314 3698 3402	6370 5953 5185 4607	9237 8513 7305 6580	12483 11612 10160 9290	15024 14091 11913 10979	24013 22387 19137 17444	29620 26838 23053 21199	37978 31702 25914 24658	42003 38771 33293 31138	55308 50250 45295 40341	65269 59765 51679 47523
weight (standard)	(ca. kg)		22	30	42	52	92	118	196	287	378	494	602	823	944	1082	1240	1480	1610