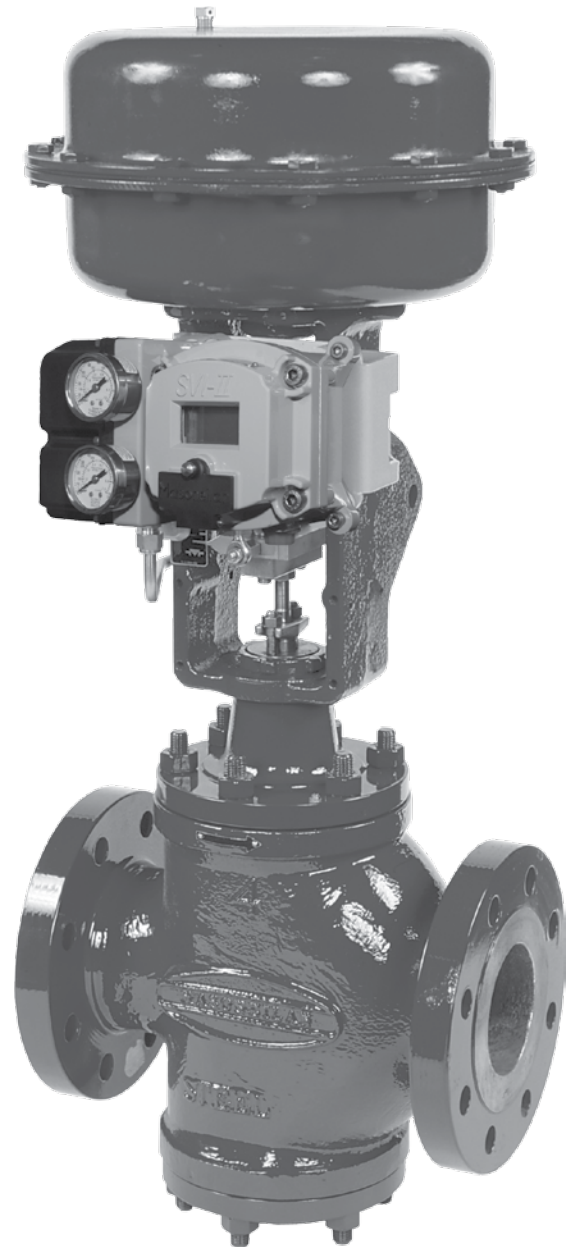


Masoneilan* Valves

10000 Series Control Valves

Double Ported Globe Valves

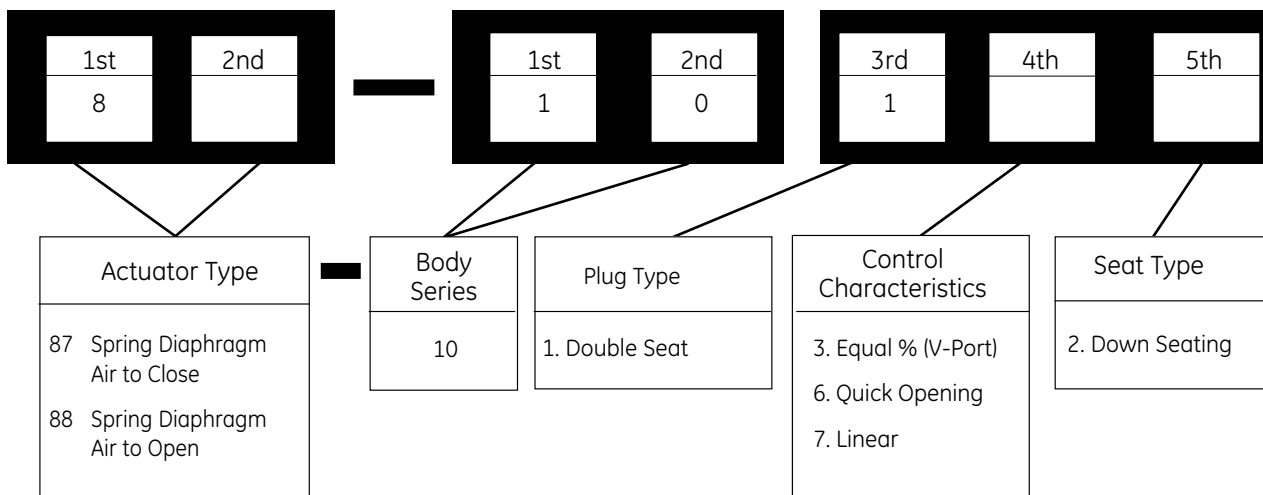


imagination at work

Table of Contents

Numbering System.....	2	C_v and F_L versus Travel.....	5-6
General Data.....	2	Materials of Construction.....	7-12
Temperature Range/Seat Leakage.....	3	Valve Dimensions.....	13-14
Ratings/Connections.....	4	Valve Weights.....	15
Flow Coefficient – Rated C_v	4	Actuator Dimensions and Weights.....	16-17

Numbering System



General Data

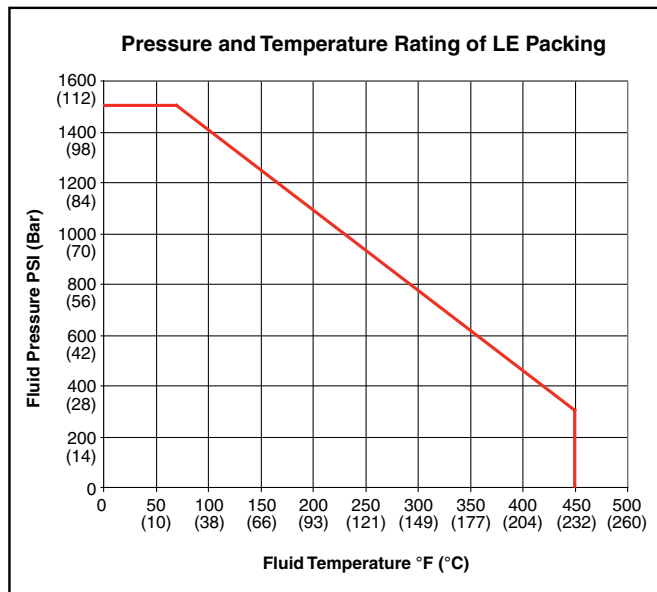
- Flow Direction**
 All trim: Flow through both ports
- Body**
 Type: Double seat globe
- Body Bonnet & Lower Flange**
 Type: Bolted
- Bonnet & Lower Flange**
 Materials: Carbon steel
 Stainless steel
 Chrome-molybdenum steel
- Trim**
 Plug type: Double seat
 V-port or contoured
 Seat ring: Threaded
 Guide: Heavy top and bottom guiding
 Capacity: Full area
 Reduced capacity (0.4 factor)
 Cv ratio: 50:1
 Flow characteristics: Equal percentage
 Quick opening
 Linear
- Actuator**
 Type: Spring diaphragm
 Handwheel: Optional

Temperature Range/Seat Leakage

Valve Size ¹⁾		Body Rating	Body & Bonnet Material	Temperature Range				Seat Leakage IEC 60534-4 and ANSI/FCI 70.2 Class
				Standard Bonnet		Extension Bonnet		
inch	mm							
0.75 to 16	20 to 400	ASME Class 150 to 600 (PN 20 to 100)	Carbon Steel	-4°F (-20°C)	+450°F ¹⁾ (+232°C)	-4°F (-20°C)	+800°F (+427°C)	II
			Stainless Steel	-20°F (-29°C)	+450°F ¹⁾ (+232°C)	-148°F (-100°C)	+800°F (+427°C)	
			Chrome-Moly	32°F (0°C)	+450°F ¹⁾ (+232°C)	32°F (0°C)	+800°F (+427°C)	
			NACE	-4°F (-20°C)	+450°F (+232°C)			

1) Maximum temperature shown is with PTFE packing and LE Packing. Extended max. operating temperature of 800°F (427°C) allowable with Graphite packing.

2) LE Packing for low emissions applications is limited to maximum pressure and temperature as shown in chart below.



Ratings / Connections

RF Flanged
 RT Joint
 Butt Weld
 Socket Weld
 Threaded

Valve Size		ASME Class		
Inch	mm	150	300	600
.75	20	<input type="checkbox"/> <input type="checkbox"/> <input type="checkbox"/> <input type="checkbox"/>	<input type="checkbox"/> <input type="checkbox"/> <input type="checkbox"/> <input type="checkbox"/>	<input type="checkbox"/> <input type="checkbox"/> <input type="checkbox"/> <input type="checkbox"/>
1	25	<input type="checkbox"/> <input type="checkbox"/> <input type="checkbox"/> <input type="checkbox"/>	<input type="checkbox"/> <input type="checkbox"/> <input type="checkbox"/> <input type="checkbox"/>	<input type="checkbox"/> <input type="checkbox"/> <input type="checkbox"/> <input type="checkbox"/>
1.5	40	<input type="checkbox"/> <input type="checkbox"/> <input type="checkbox"/> <input type="checkbox"/>	<input type="checkbox"/> <input type="checkbox"/> <input type="checkbox"/> <input type="checkbox"/>	<input type="checkbox"/> <input type="checkbox"/> <input type="checkbox"/> <input type="checkbox"/>
2	50	<input type="checkbox"/> <input type="checkbox"/> <input type="checkbox"/> <input type="checkbox"/>	<input type="checkbox"/> <input type="checkbox"/> <input type="checkbox"/> <input type="checkbox"/>	<input type="checkbox"/> <input type="checkbox"/> <input type="checkbox"/> <input type="checkbox"/>
3	80	<input type="checkbox"/> <input type="checkbox"/>	<input type="checkbox"/> <input type="checkbox"/>	<input type="checkbox"/> <input type="checkbox"/>
4	100	<input type="checkbox"/> <input type="checkbox"/>	<input type="checkbox"/> <input type="checkbox"/>	<input type="checkbox"/> <input type="checkbox"/>
6	150	<input type="checkbox"/> <input type="checkbox"/>	<input type="checkbox"/> <input type="checkbox"/>	<input type="checkbox"/> <input type="checkbox"/>
8	200	<input type="checkbox"/> <input type="checkbox"/>	<input type="checkbox"/> <input type="checkbox"/>	<input type="checkbox"/> <input type="checkbox"/>
10	250	<input type="checkbox"/> <input type="checkbox"/>	<input type="checkbox"/> <input type="checkbox"/>	<input type="checkbox"/> <input type="checkbox"/>
12	300	<input type="checkbox"/> <input type="checkbox"/>	<input type="checkbox"/> <input type="checkbox"/>	<input type="checkbox"/> <input type="checkbox"/>
14	350	<input type="checkbox"/> <input type="checkbox"/>	<input type="checkbox"/> <input type="checkbox"/>	<input type="checkbox"/> <input type="checkbox"/>
16	400	<input type="checkbox"/> <input type="checkbox"/>	<input type="checkbox"/> <input type="checkbox"/>	<input type="checkbox"/> <input type="checkbox"/>

1) Consult factory for availability of additional sizes and end connections.

Flow Coefficient – Rated C_v

Nominal Size		Travel		Full Capacity $C_v^{(1)}$	Reduced Capacity C_v
Inch	mm	Inch	mm		
.75	20	0.5	12.7	8	-
1	25	0.5	12.7	12	8 ⁽²⁾
1.5	40	0.8	20.3	28	11
2	50	0.8	20.3	48	19
3	80	1.5	38.1	110	44
4	100	1.5	38.1	195	78
6	150	2	50.8	450	180
8	200	2.5	63.5	750	300
10	250	2.5	63.5	1160	460
12	300	3.5	88.9	1620	650
14 ⁽³⁾	350	4	101.6	2000 ⁽⁴⁾	-
16	400	4	101.6	2560 ⁽⁴⁾	-

- 1) Rated C_v for Quick Opening trim is 1.3 times values shown.
- 2) 1" size reduced capacity trim is same as .75" size full area trim.
- 3) Consult factory for details on 14" size.
- 4) 14" and 16" sizes are only available with Equal Percentage trim.

C_V and F_L versus Travel

Contoured Trim
ASME Class 150 to 600

Flow Characteristic: LINEAR

Percent of Travel			10	20	30	40	50	60	70	80	90	100
F _L	Full Area		.63	.64	.65	.70	.77	.85	.90	.90	.89	.88
	Reduced Area		.63	.64	.65	.70	.75	.80	.82	.82	.81	.80
Valve Size	Orifice Diameter	Travel	Rated C _V									
inch	inch	inch										
0.75	.88/.80	0.5	.8	1.6	2.4	3.2	4.0	4.8	5.6	6.4	7.2	8
1	.88/.80	0.5	.8	1.6	2.4	3.2	4.0	4.8	5.6	6.4	7.2	8
	1.06/.98	0.5	1.2	2.4	3.6	4.8	6	7.2	8.4	9.6	10.8	12
1.5	1.06/.98	0.8	1.1	2.2	3.3	4.4	5.5	6.6	7.7	8.8	9.9	11
	1.5/1.42	0.8	2.8	5.6	8.4	11.2	14	16.8	19.6	22.4	25.2	28
2	1.43/1.35	0.8	1.9	3.8	5.7	7.6	9.5	11.4	13.3	15.2	17.1	19
	2.00/1.90	0.8	4.8	9.6	14.4	19.2	24	28.8	33.6	38.4	43.2	48
3	1.87/1.78	1.5	4.4	8.8	13.2	17.6	22	26.4	30.8	35.2	39.6	44
	2.62/2.53	1.5	11	22	33	44	55	66	77	88	99	110
4	2.37/2.28	1.5	7.8	15.6	23.4	31.2	39	46.8	54.6	62.4	70.2	78
	3.50/3.40	1.5	19.5	39	58.5	78	97.5	117	136	156	175	195
6	3.50/3.40	2	18	36	54	72	90	108	126	144	162	180
	5.25/5.15	2	45	90	135	180	225	270	315	360	405	450
8	4.62/4.53	2.5	30	60	90	120	150	180	210	240	270	300
	7.00/6.87	2.5	75	150	225	300	375	450	525	600	675	750
10	5.25/5.15	2.5	46	92	138	184	230	276	322	368	414	460
	8.75/8.62	2.5	116	232	348	464	580	696	812	928	1044	1160
12	6.37/6.25	3.5	65	130	195	260	325	390	455	520	585	650
	10.50/10.34	3.5	162	324	486	648	810	972	1134	1296	1458	1620

C_v and F_L versus Travel

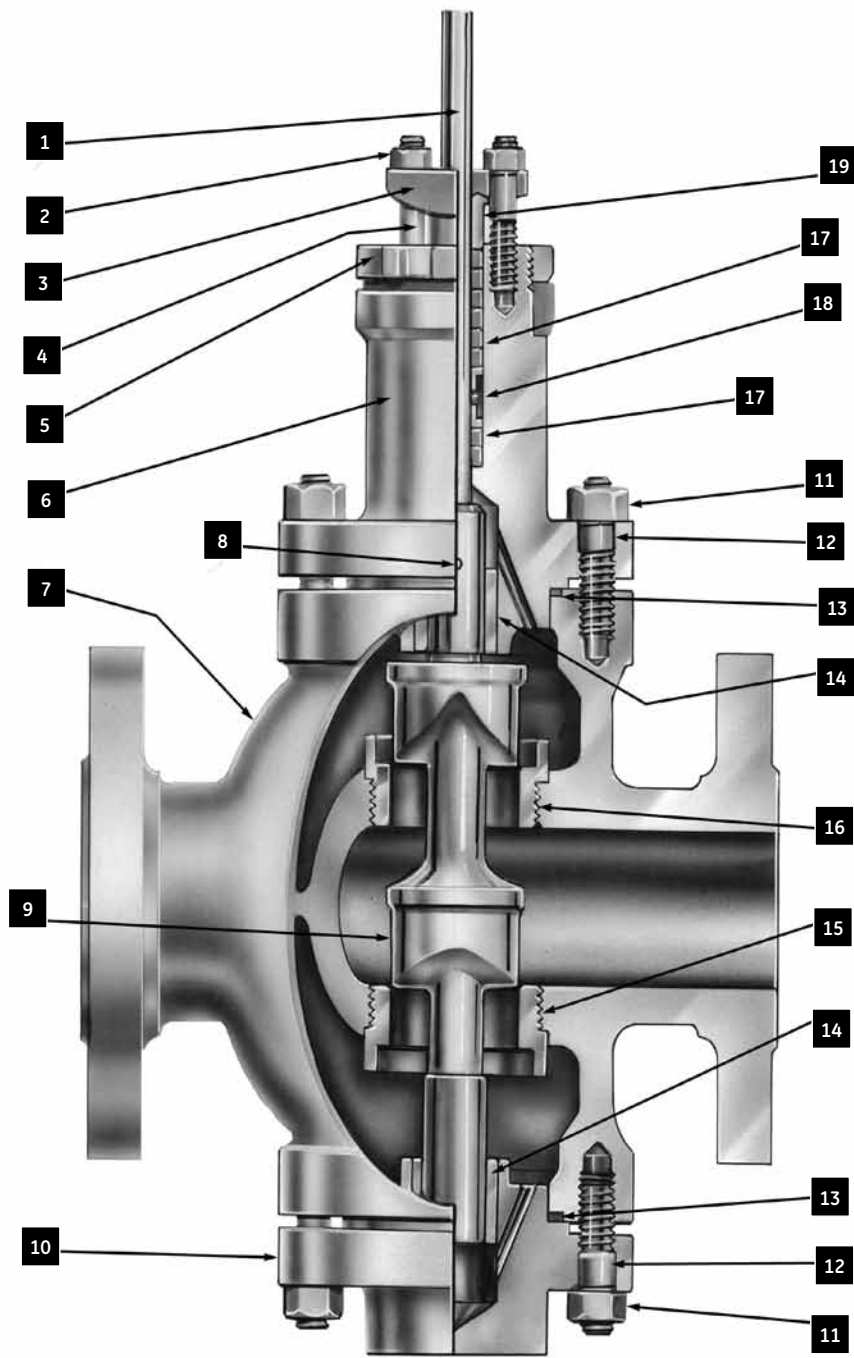
V-Port Trim

ASME Class 150 to 600

Flow Characteristic: EQUAL PERCENTAGE

Percent of Travel			10	20	30	40	50	60	70	80	90	100
F _L	Full Area		.96	.96	.96	.96	.95	.94	.94	.93	.91	.90
	Reduced Area		.96	.96	.95	.94	.93	.92	.91	.90	.89	.88
Valve Size inch	Orifice Diameter inch	Travel inch	Rated C _v									
0.75	.88/80	0.5	.24	.48	.64	.88	1.2	1.8	2.3	3.6	5.2	8
1	.88/80	0.5	.24	.48	.64	.88	1.2	1.8	2.3	3.6	5.2	8
	1.06/98	0.5	.36	.72	.96	1.3	1.8	2.6	3.5	5.4	7.8	12
1.5	1.06/98	0.8	.33	.66	.88	1.2	1.6	2.4	3.2	4.9	7.1	11
	1.5/142	0.8	.84	1.7	2.2	3.1	4.2	6.2	8.1	12.6	18.2	28
2	1.43/135	0.8	0.6	1.1	1.5	2	2.8	4.2	5.5	8.5	12.3	19
	2.00/190	0.8	1.4	2.8	3.8	5.3	7.2	10.5	13.9	21.6	31.2	48
3	1.87/1.78	1.5	1.3	2.6	3.5	4.8	6.6	9.7	12.8	19.8	28.6	44
	2.62/2.53	1.5	3.3	6.6	8.8	12.1	16.5	24.2	31.9	49.5	71.5	110
4	2.37/2.28	1.5	2.3	4.7	6.2	8.6	11.7	17.2	22.6	35.1	50.7	78
	3.50/3.40	1.5	5.8	11.7	15.6	21.4	29.2	42.9	56.5	87.7	126	195
6	3.50/3.40	2	5	11	14	20	27	40	52	81	117	180
	5.25/5.15	2	14	27	36	50	68	99	130	202	292	450
8	4.62/4.53	2.5	9	18	24	33	45	66	87	135	195	300
	7.00/6.87	2.5	23	45	60	83	112	165	217	337	487	750
10	5.25/5.15	2.5	14	28	37	51	69	101	133	207	299	460
	8.75/8.62	2.5	35	70	93	127	174	255	336	522	754	1160
12	6.37/6.25	3.5	20	39	52	72	98	143	189	293	423	650
	10.50/10.34	3.5	49	97	130	178	243	356	469	729	1053	1620
14	12.2/12.1	4	60	120	160	220	300	440	580	900	1300	2000
16	14.00/13.86	4	77	153	207	281	384	563	742	1152	1664	2560

Materials of Construction



Materials of Construction

Standard Carbon Steel Version

Ref. No.	Temperature Range	-4°F			650°F			800°F		
		Description			Materials					
1	Plug Stem	316 St. St. ASTM 479 TY 316								
2	Packing Flange Nut	St. St. ASTM A194 GR 8								
3	Packing Flange	Zinc Dichromate Carbon Steel ASTM A105								
4	Packing Flange Stud	304 St. St. ASTM A193 GR B8								
5	Drive Nut	Carbon Steel SAE 1117 or ASTM A216 GR WCC								
6	Valve Bonnet	Carbon Steel ASTM A216 Grade WCC or ASTM A105								
7	Valve Body	Carbon Steel ASTM A216 Grade WCC								
8	Plug Pin	316 St. St. ASTM 479 TY 316								
9	Plug	316 St. St. ASTM 479 TY 316			316 St. St. with Hardfaced Seat and Guide					
		316 St.St.with Hardfaced Seat								
10	Lower Flange	Carbon Steel ASTM A216 Grade WCC or ASTM A105								
11	Body Stud Nut	Carbon Steel ASTM A194 GR 2H								
12	Body Stud	Alloy Steel ASTM A193 GR B7								
13	Body Gasket	316L St. St. w/Flexible Graphite Filler (Spiral Wound)								
14	Guide Bushing	440C St. St. ASTM A276 TY 440C			Stellite or Equivalent 6 UNS 30006					
15	Lower Seat Ring	316 St. St. ASTM 479 TY 316			316 St. St. with Hardfaced Seat					
		316 St.St. with Hardfaced Seat								
16	Upper Seat Ring	316 St. St. ASTM 479 TY 316			316 St. St. with Hardfaced Seat					
		316 St.St. with Hardfaced Seat								
18	Lantern Ring (Optional)	Austenitic 300 Series Stainless Steel								
19	Packing Follower	Austenitic 300 Series Stainless Steel								
Ref. No.	Temperature Range	-20°C			343°C			427°C		

Materials of Construction

Standard Stainless Version

Ref. No.	Temperature Range	-148°F	-20°F	650°F	800°F
		Materials			
1	Plug Stem	316 St. St. ASTM 479 TY 316			
2	Packing Flange Nut	St. St. ASTM A194 GR 8			
3	Packing Flange	Zinc Dichromate Carbon Steel ASTM A105			
4	Packing Flange Stud	304 St. St. ASTM A193 GR B8			
5	Drive Nut	Carbon Steel SAE 1117 or ASTM A216 GR WCC			
6	Valve Bonnet Plain Version		316 Stainless Steel ASTM A351 Grade CF8M or ASTM A182 Grade F316		
6	Valve Bonnet Extended Version	316 Stainless Steel ASTM A351 Grade CF8M or ASTM A182 Grade F316			
7	Valve Body	316 Stainless Steel ASTM A351 Grade CF8M			
8	Plug Pin	316 St. St. ASTM 479 TY 316			
9	Plug	316 St. St. ASTM 479 TY 316		316 St. St. with Hardfaced Seat and Guide	
		316 St.St. with Hardfaced Seat			
10	Lower Flange	316 Stainless Steel ASTM A351 Grade CF8M or ASTM A182 Grade F316			
11	Body Stud Nut	Carbon Steel ASTM A194 GR 2H Zinc Dichromate Plating		C. S. ASTM A194 GR 2H (No Zinc)	
		ASTM A194 Gr. 8 ⁽¹⁾			
12	Body Stud	Alloy Steel ASTM A193 GR B7 Zinc Dichromate Plating		Alloy Steel ASTM A193 GR B7 ⁽³⁾	
		ASTM A193 Gr. B8 ⁽¹⁾⁽³⁾			
13	Body Gasket	316L St. St. w/Flexible Graphite Filler (Spiral Wound)			
14	Guide Bushing	Stellite or Equivalent 6 ⁽²⁾			
15	Lower Seat Ring	316 St. St. ASTM 479 TY 316		316 St. St. with Hardfaced Seat	
		316 St.St. with Hardfaced Seat			
16	Upper Seat Ring	316 St. St. ASTM 479 TY 316		316 St. St. with Hardfaced Seat	
		316 St.St. with Hardfaced Seat			
18	Lantern Ring (Optional)	Austenitic 300 Series Stainless Steel			
19	Packing Follower	Austenitic 300 Series Stainless Steel			
Ref. No.	Temperature Range	-100°C	-29°C	343°C	427°C

- 1) Use of non-plated bolting must be reviewed by the factory for proper application.
- 2) For operating temperatures above 650°F (343°C), the Solid Stellite or Equivalent bushings are tack welded to the bonnet and lower flange to account for thermal expansion.
- 3) ASTM A453 Gr. 660 may be required to meet low temperature or corrosion resistance requirements.

Materials of Construction

Standard Chrome-Moly Version

Ref. No.	Temperature Range		-32°F	650°F	800°F
	Description		Materials		
1	Plug Stem		316 St. St. ASTM 479 TY 316		
2	Packing Flange Nut		St. St. ASTM A194 GR 8		
3	Packing Flange		Zinc Dichromate Carbon Steel ASTM A105		
4	Packing Flange Stud		304 St. St. ASTM A193 GR B8		
5	Drive Nut		Carbon Steel SAE 1117 or ASTM A216 GR WCC		
6	Valve Bonnet		Chrome-Molybdenum Steel ASTM A217 Grade WC9		
7	Valve Body		Chrome-Molybdenum Steel ASTM A217 Grade WC9		
8	Plug Pin		316 St. St. ASTM 479 TY 316		
9	Plug		316 St. St. ASTM 479 TY 316	316 St. St. with Hardfaced Seat and Guide	
			316 St.St. with Hardfaced Seat		
10	Lower Flange		Chrome-Molybdenum Steel ASTM A217 Grade WC9		
11	Body Stud Nut		Carbon Steel ASTM A194 GR 2H		
12	Body Stud		Alloy Steel ASTM A193 GR B7		
13	Body Gasket		316L St. St. w/Flexible Graphite Filler (Spiral Wound)		
14	Guide Bushing		440C St. St. ASTM A276 TY 440C	Stellite or Equivalent 6 UNS 30006	
15	Lower Seat Ring		316 St. St. ASTM 479 TY 316	316 St. St. with Hardfaced Seat	
			316 St.St. with Hardfaced Seat		
16	Upper Seat Ring		316 St. St. ASTM 479 TY 316	316 St. St. with Hardfaced Seat	
			316 St.St. with Hardfaced Seat		
18	Lantern Ring (Optional)		Austenitic 300 Series Stainless Steel		
19	Packing Follower		Austenitic 300 Series Stainless Steel		
Ref. No.	Temperature Range		0°C	343°C	427°C

Packing Options - Carbon Steel, Stainless Steel and Chrome-Moly Constructions

Ref. No.	Temperature Range		-20°F	450°F	800°F
	Description		Materials		
17	Packing	Standard Bonnet	PTFE Packing		
			LE Packing		
			Expanded Graphite Filler + Graphite wiper rings		
	Packing	Extension Bonnet	PTFE Packing		
LE Packing					
Ref. No.	Temperature Range		-29°C	232°C	427°C

Materials of Construction

NACE Materials Construction

Ref. No.	Temperature Range	-20°F	450°F
	Description	Standard and Optional Materials ⁽¹⁾	
1	Plug Stem	316 St. St. ASTM A479 TY 316 (HRC 22 Max.)	
		ASTM A638 Gr 660 ⁽²⁾	
2	Packing Flange Nut	304 St. St. ASTM A194 Gr 8 ⁽³⁾ (non exposed)	
		Alloy Steel ASTM A194 Gr 8A ⁽⁴⁾ (exposed)	
3	Packing Flange	Zinc Dichromate Carbon Steel ASTM A105	
4	Packing Flange Stud	304 St. St. ASTM A193 GR B8 (exposed and non exposed)	
5	Drive Nut	Carbon Steel SAE 1117 ⁽³⁾	
		Carbon Steel ASTM A105 or SAE 1010-1025 ⁽⁴⁾	
6	Valve Bonnet	Carbon Steel ASTM A216 Grade WCC (HRC 22 Max.)	
		Carbon Steel ASTM A105 (HRC 22 Max.)	
		316 St. St. ASTM A351 Gr CF8M (HRC 22 Max.)	
7	Valve Body	Carbon Steel ASTM A216 Grade WCC (HRC 22 Max.)	
		316 St. St. ASTM A351 Gr CF8M (HRC 22 Max.)	
8	Plug Pin	316 St. St. ASTM A479 TY 316 (HRC 22 Max.)	
9	Plug	316 St. St. ASTM A479 TY 316 (HRC 22 Max.)	
		316 St. St. ASTM A479 TY 316 with Hardfaced Seat (HRC 22 Max.)	
10	Lower Flange	Carbon Steel ASTM A216 Grade WCC (HRC 22 Max.)	
		Carbon Steel ASTM A105 (HRC 22 Max.)	
		316 St. St. ASTM A351 Gr CF8M (HRC 22 Max.)	
11	Body Stud Nut	ASTM A194 GR 2H ⁽³⁾ (non exposed)	
		ASTM A194 Gr 2HM ⁽⁴⁾ (exposed)	
		ASTM A194 GR 2H Zinc Plating ⁽³⁾⁽⁵⁾ (non exposed)	
		ASTM A194 Gr 2HM Zinc Plating ⁽⁴⁾⁽⁵⁾ (exposed)	
12	Body Stud	ASTM A193 GR B7 ⁽³⁾ (non exposed)	
		ASTM A193 Gr B7M ⁽⁴⁾ (exposed)	
		ASTM A193 GR B7 Zinc Plated ⁽³⁾⁽⁵⁾ (non exposed)	
		ASTM A193 Gr B7M Zinc Plated ⁽⁴⁾⁽⁵⁾ (exposed)	
13	Body Gasket	316L St. St. w/Flexible Graphite Filler (Spiral Wound)	
14	Guide Bushing	Stellite or Equivalent 6 UNS 30006	
Ref. No.	Temperature Range	-29°C	232°C

Materials of Construction

NACE Materials Construction

Ref. No.	Temperature Range	-20°F	450°F
	Description	Standard and Optional Materials ⁽¹⁾	
15	Lower Seat Ring	316 St. St. ASTM A479 TY 316 (HRC 22 Max.)	
		316 St. St. ASTM A479 TY 316 with Hardfaced Seat (HRC 22 Max.)	
16	Upper Seat Ring	316 St. St. ASTM A479 TY 316 (HRC 22 Max.)	
		316 St. St. ASTM A479 TY 316 with Hardfaced Seat (HRC 22 Max.)	
17	Packing	PTFE Packing	
18	Lantern Ring (Optional)	304 St. St. ASTM A479 TY 304	
19	Packing Follower	304 St. St. ASTM A479 TY 304	
Ref. No.	Temperature Range	-29°C	232°C

1) Materials and processes in accordance with the requirements of NACE specification MR0103, 2003.

Applications requiring compliance to MR0175, 2003 Rev. or ISO 15156 would require engineering review.

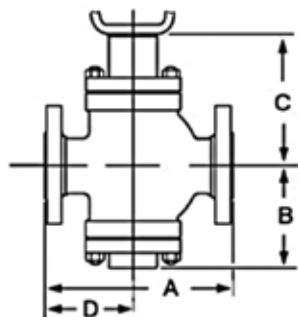
2) ASTM A638 Gr 660 will be substituted in applications when required due to the differential pressure.

3) Materials designated for these parts conform to NACE Class III (unexposed) bolting requirements.

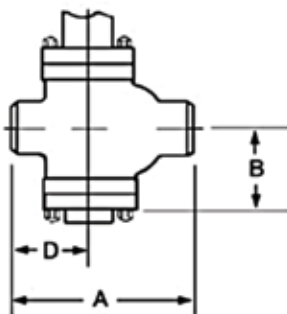
4) Materials designated for these parts conform to NACE Class I or Class II (exposed) bolting requirement.

5) Zinc plating is mandatory for St. Steel construction only.

Valve Dimensions



Flanged Ends



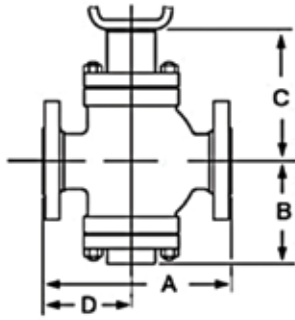
Socket Weld
or Threaded Ends

10000 Series Dimensions (inches)

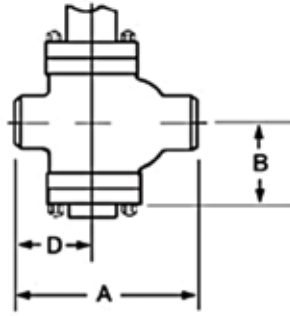
Valve Size		ASME Class 150 and equivalent PN				ASME Class 300 and equivalent PN				ASME Class 600 and equivalent PN				ASME Class 150-600 and equivalent PN	
inches	mm	RF		RTJ		RF		RTJ		RF		RTJ		Threaded & Socket Weld	
		A	D	A	D	A	D	A	D	A	D	A	D	A	D
0.75	20	7.24	3.66	-	-	7.64	3.86	8.11	4.09	8.11	4.09	8.11	4.09	6.02	2.87
1	25	7.24	3.66	7.76	3.90	7.76	3.90	8.27	4.13	8.27	4.13	8.27	4.13	6.02	2.87
1.5	40	8.74	4.09	9.25	4.33	9.25	4.33	9.76	4.57	9.88	4.65	9.88	4.65	7.99	3.70
2	50	10.00	4.61	10.51	4.88	10.51	4.88	11.10	5.20	11.26	5.24	11.38	5.31	9.25	4.13
3	80	11.73	5.51	12.24	5.75	12.52	5.87	13.11	6.18	13.27	6.26	13.39	6.30	-	-
4	100	13.90	6.57	14.37	6.81	14.49	6.89	15.12	7.20	15.51	7.36	15.63	7.44	-	-
6	150	17.76	7.64	18.11	7.87	18.62	8.07	19.25	8.39	20.00	8.74	20.12	8.82	-	-
8	200	21.38	8.54	21.89	8.82	22.40	9.06	22.99	9.37	24.02	9.88	24.13	9.92	-	-
10	250	24.61	9.96	25.12	10.24	26.02	10.67	26.65	10.98	27.99	11.65	27.87	11.61	-	-
12	300	28.74	11.30	29.25	11.57	30.24	12.09	30.87	12.36	32.01	12.91	32.13	12.99	-	-
14	350	33.50	12.99	34.02	13.27	35.00	13.74	35.63	14.06	36.77	14.61	36.89	14.69	-	-
16	400	35.39	15.71	35.87	15.94	37.01	16.50	37.64	16.81	39.02	17.24	39.13	17.32	-	-

Valve Size		ASME Class 150 – 600 and equivalent PN		
inches	mm	B	C (STD.Bonnet)	C (EB Bonnet)
0.75	20	4.49	5.67	9.72
1	25	4.49	5.67	9.72
1.5	40	5.39	6.02	10.67
2	50	5.98	7.20	11.42
3	80	7.80	9.29	13.11
4	100	8.11	9.49	13.74
6	150	11.18	12.60	18.03
8	200	13.39	14.69	20.00
10	250	14.80	16.42	22.60
12	300	17.80	19.80	25.98
14	350	21.50	24.09	32.60
16	400	22.28	26.10	34.61

Valve Dimensions



Flanged Ends



Socket Weld
or Threaded Ends

10000 Series Dimensions (mm)

Valve Size		ASME Class 150 and equivalent PN				ASME Class 300 and equivalent PN				ASME Class 600 and equivalent PN				ASME Class 150-600 and equivalent PN	
mm	inches	RF		RTJ		RF		RTJ		RF		RTJ		Threaded & Socket Weld	
		A	D	A	D	A	D	A	D	A	D	A	D	A	D
20	0.75	184	93	-	-	194	98	206	104	206	104	206	104	153	73
25	1	184	93	197	99	197	99	210	105	210	105	210	105	153	73
40	1.5	222	104	235	110	235	110	248	116	251	118	251	118	203	94
50	2	254	117	267	124	267	124	282	132	286	133	289	135	235	105
80	3	298	140	311	146	318	149	333	157	337	159	340	160	-	-
100	4	353	167	365	173	368	175	384	183	394	187	397	189	-	-
150	6	451	194	460	200	473	205	489	213	508	222	511	224	-	-
200	8	543	217	556	224	569	230	584	238	610	251	613	252	-	-
250	10	625	253	638	260	661	271	677	279	711	296	708	295	-	-
300	12	730	287	743	294	768	307	784	314	813	328	816	330	-	-
350	14	851	330	864	337	889	349	905	357	934	371	937	373	-	-
400	16	899	399	911	405	940	419	956	427	991	438	994	440	-	-

Valve Size		ASME Class 150 – 600 and equivalent PN		
mm	inches	B	C (STD.Bonnet)	C (EB Bonnet)
20	0.75	114	144	247
25	1	114	144	247
40	1.5	137	153	271
50	2	152	183	290
80	3	198	236	333
100	4	206	241	349
150	6	284	320	458
200	8	340	373	508
250	10	376	417	574
300	12	452	503	660
350	14	546	612	828
400	16	566	663	879

Valve Weights

Weights in (lbs)

Valve Size		ASME Class 150-600 and equivalent PN	ASME Class 150 and equivalent PN	ASME Class 300 and equivalent PN	ASME Class 600 and equivalent PN
inches	mm	Threaded & Socket Weld	Flanged		
0.75	20	40	79	79	90
1	25	44	86	86	99
1.5	40	44	106	110	119
2	50	51	150	159	174
3	80	110	245	256	269
4	100	192	304	309	335
6	150	364	514	529	595
8	200	668	798	825	959
10	250	1168	1349	1378	1497
12	300	1455	1698	1737	1898
14	350 ⁽¹⁾	-	-	-	-
16	400	2579	3016	3086	4198

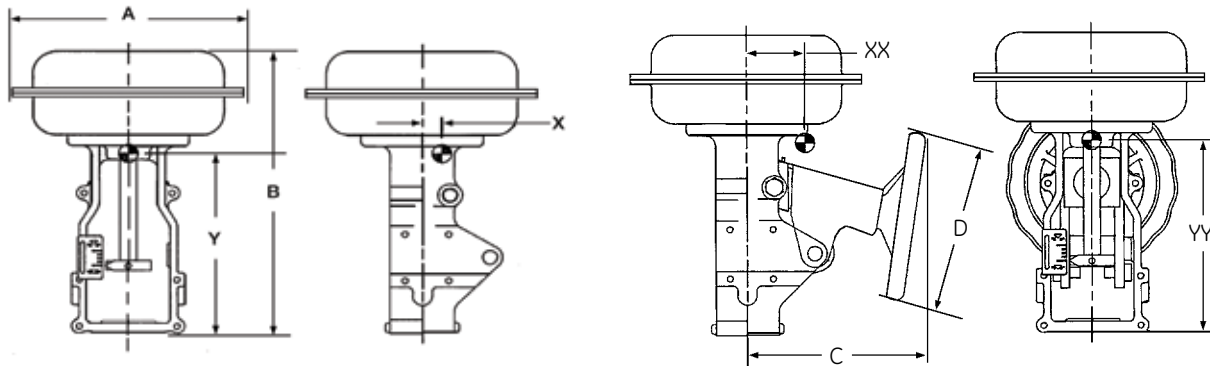
1) Consult factory for weight data on 14" size.

Weights in (kg)

Valve Size		ASME Class 150-600 and equivalent PN	ASME Class 150 and equivalent PN	ASME Class 300 and equivalent PN	ASME Class 600 and equivalent PN
mm	inches	Threaded & Socket Weld	Flanged		
20	0.75	18	36	36	41
25	1	20	39	39	45
40	1.5	20	48	50	54
50	2	23	68	72	79
80	3	50	111	116	122
100	4	87	138	140	152
150	6	165	233	240	270
200	8	303	362	374	435
250	10	530	612	625	679
300	12	660	770	788	861
350 ⁽¹⁾	14	-	-	-	-
400	16	1170	1368	1400	1904

1) Consult factory for weight data on 14" size.

Actuator Dimensions and Weights (in./lbs)



Shown with optional Handwheel

Dimensions and Weights

Actuator Size	Actuator Dimensions (inches)				Weights (lbs.)	
	A	B (Model 88)	C	D	Standard	w/Handwheel
6	11.50	15.54 (17.52)	10.00	9.00	45	60
10	14.50	19.58 (21.54)	10.90	12.00	85	105
16	18.75	28.22 (30.79)	14.00	18.00	210	245
23	21.63	30.71 (33.27)	16.00	18.00	265	320

Actuator Removal Clearance = 6 inches

Limit Stops (inches)

Up Stop

Size	Model	Overall Height B
6	87	19.45
10		25.43
16		36.42
23		38.84
6	88	19.16
10		25.06
16		35.48
23		38.65

Down Stop

Size	Model	Overall Height B
6	87	19.80
10		25.98
16		37.20
23		39.90
6	88	19.74
10		25.85
16		37.46
23		40.33

Center of Gravity (inches)

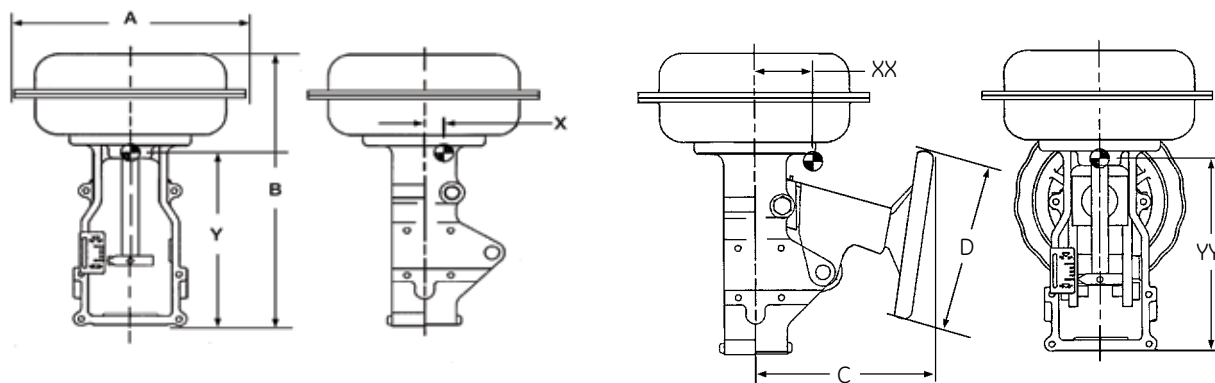
Without Handwheel

Size	X	Y
6	.19	9.75
10	.0	12.88
16	.13	18.50
23	.06	21.13

With Handwheel

Size	XX	YY
6	1.25	9.13
10	0.88	12.00
16	1.38	16.75
23	1.38	19.00

Actuator Dimensions and Weights (mm/kg)



Shown with optional Handwheel

Dimensions and Weights

Actuator Size	Actuator Dimensions (mm)				Weights (kg)	
	A	B (Model 88)	C	D	Standard	w/Handwheel
6	302	395 (445)	254	229	20	27
10	373	497 (547)	277	305	39	48
16	476	717 (782)	356	457	95	111
23	549	780 (845)	406	457	120	145

Actuator Removal Clearance = 152mm

Limit Stops (mm)

Up Stop

Size	Model	Overall Height B
6	87	494
10		646
16		925
23		987
6	88	487
10		636
16		901
23		982

Center of Gravity (mm)

Without Handwheel

Size	X	Y
6	5	248
10	0	327
16	3	470
23	2	537

With Handwheel

Size	XX	YY
6	32	232
10	22	305
16	35	425
23	35	483

Down Stop

Size	Model	Overall Height B
6	87	503
10		660
16		945
23		1014
6	88	501
10		657
16		952
23		1024

DIRECT SALES OFFICE LOCATIONS

BELGIUM

Phone: +32-2-344-0970
Fax: +32-2-344-1123

BRAZIL

Phone: +55-11-2146-3600
Fax: +55-11-2146-3610

CHINA

Phone: +86-10-8486-4515
Fax: +86-10-8486-5305

FRANCE

Courbevoie
Phone: +33-1-4904-9000
Fax: +33-1-4904-9010

GERMANY

Ratingen
Phone: +49-2102-108-0
Fax: +49-2102-108-111

INDIA

Mumbai
Phone: +91-22-8354790
Fax: +91-22-8354791

New Delhi

Phone: +91-11-2-6164175
Fax: +91-11-5-1659635

ITALY

Phone: +39-081-7892-111
Fax: +39-081-7892-208

JAPAN

Chiba
Phone: +81-43-297-9222
Fax: +81-43-299-1115

KOREA

Phone: +82-2-2274-0748
Fax: +82-2-2274-0794

MALAYSIA

Phone: +60-3-2161-0322
Fax: +60-3-2163-6312

MEXICO

Phone: +52-5-310-9863
Fax: +52-5-310-5584

THE NETHERLANDS

Phone: +0031-15-3808666
Fax: +0031-18-1641438

RUSSIA

Veliky Novgorod
Phone: +7-8162-55-7898
Fax: +7-8162-55-7921

Moscow

Phone: +7 495-585-1276
Fax: +7 495-585-1279

SAUDI ARABIA

Phone: +966-3-341-0278
Fax: +966-3-341-7624

SINGAPORE

Phone: +65-6861-6100
Fax: +65-6861-7172

SOUTH AFRICA

Phone: +27-11-452-1550
Fax: +27-11-452-6542

SOUTH & CENTRAL

AMERICA AND THE CARIBBEAN
Phone: +55-12-2134-1201
Fax: +55-12-2134-1238

SPAIN

Phone: +34-93-652-6430
Fax: +34-93-652-6444

UNITED ARAB EMIRATES

Phone: +971-4-8991-777
Fax: +971-4-8991-778

UNITED KINGDOM

Wooburn Green
Phone: +44-1628-536300
Fax: +44-1628-536319

UNITED STATES

Massachusetts
Phone: +1-508-586-4600
Fax: +1-508-427-8971

Corpus Christi, Texas

Phone: +1-361-881-8182
Fax: +1-361-881-8246

Deer Park, Texas

Phone: +1-281-884-1000
Fax: +1-281-884-1010

Houston, Texas

Phone: +1-281-671-1640
Fax: +1-281-671-1735

California

Phone: +1-562-941-7610
Fax: +1-562-941-7810

* Masonellon, and LE Packing are registered trademarks of the General Electric Company.
Other company names and product names used in this document are the registered trademarks
or trademarks of their respective owners.

© 2012 General Electric Company. All rights reserved.

GEA19707 07/2012

